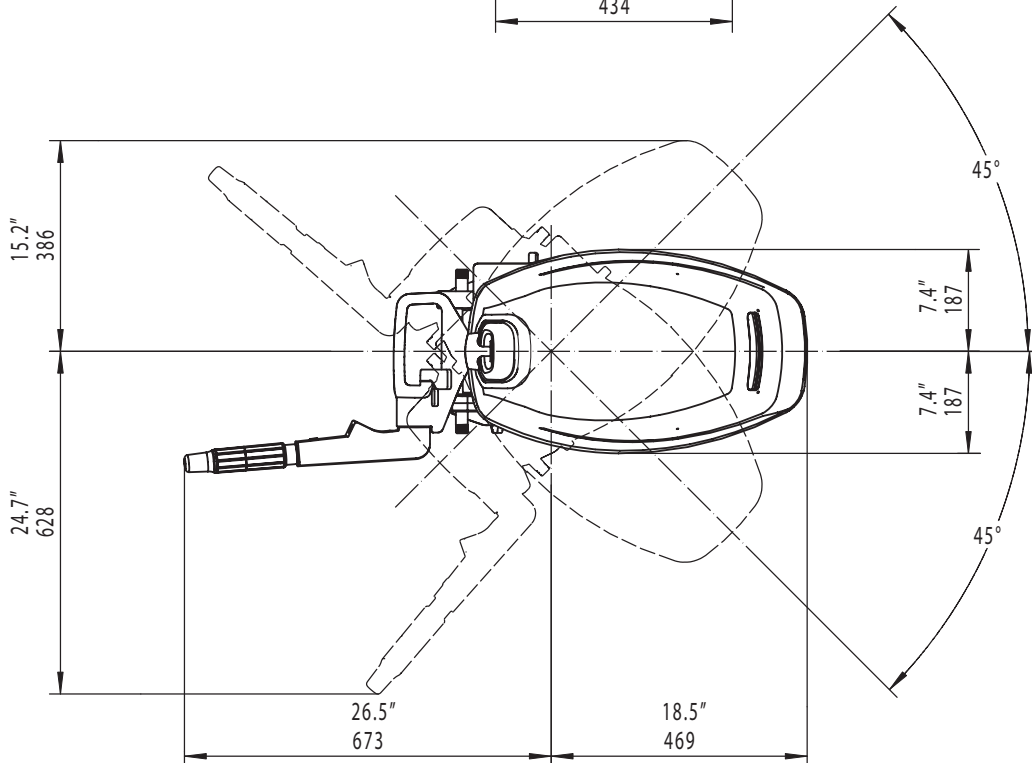
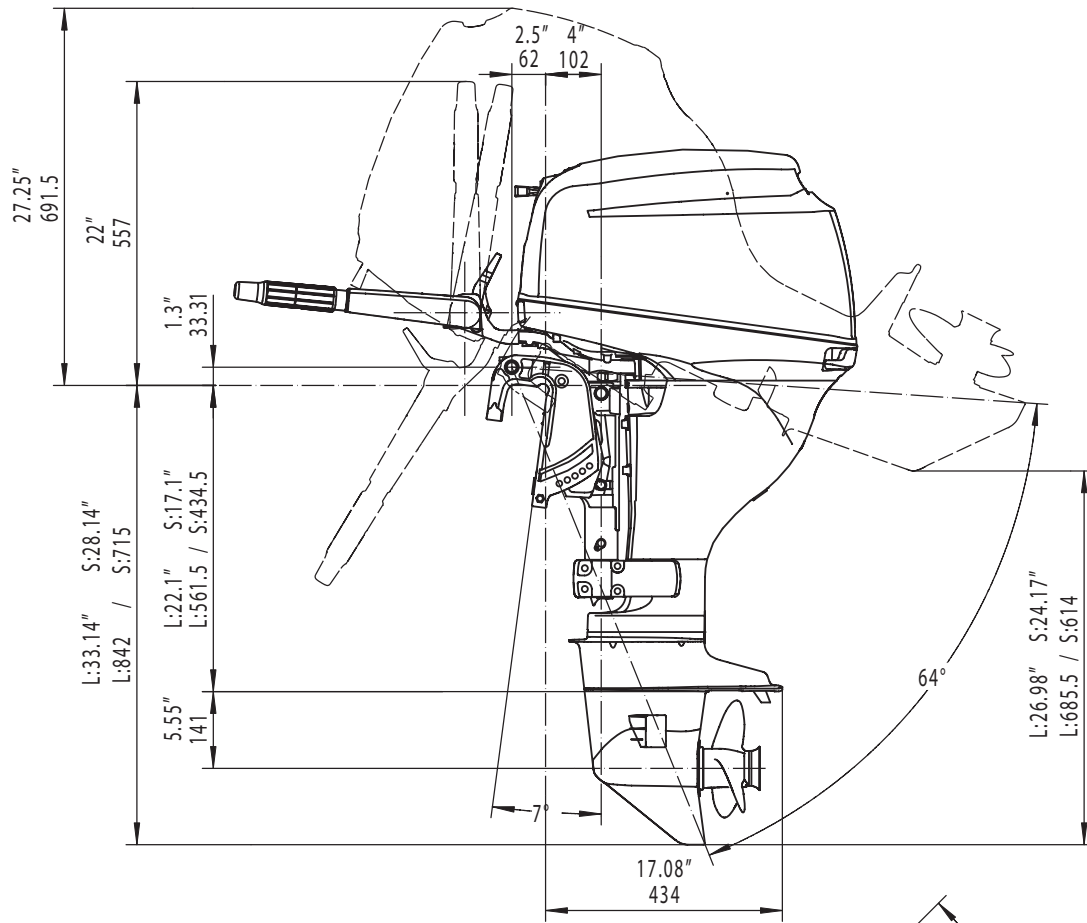




EP-50

Not to scale:



Confidential: The contents of this document are confidential and intended solely for the recipient. Reproduction of, or forwarding to anyone not directly sent this document is strictly forbidden.

L: = Long Shaft
S: = Short Shaft